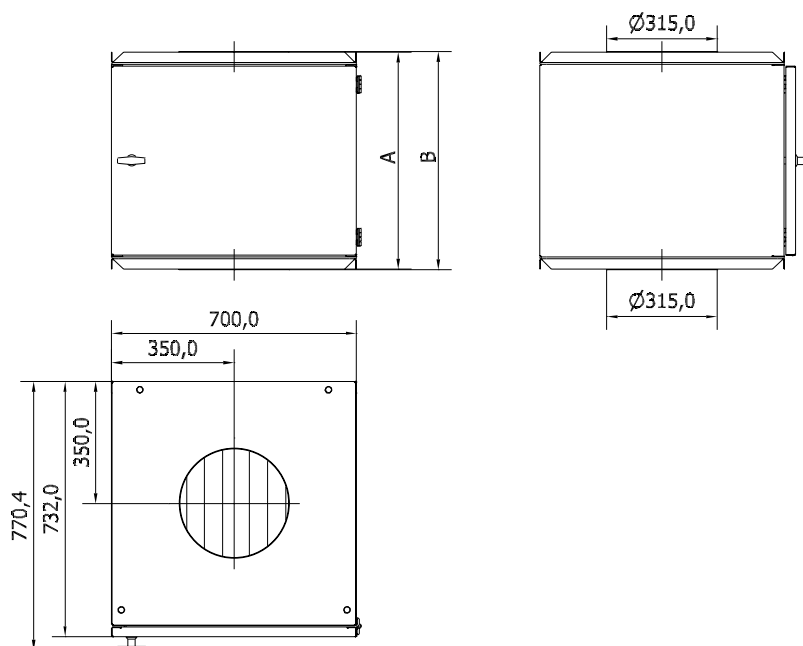
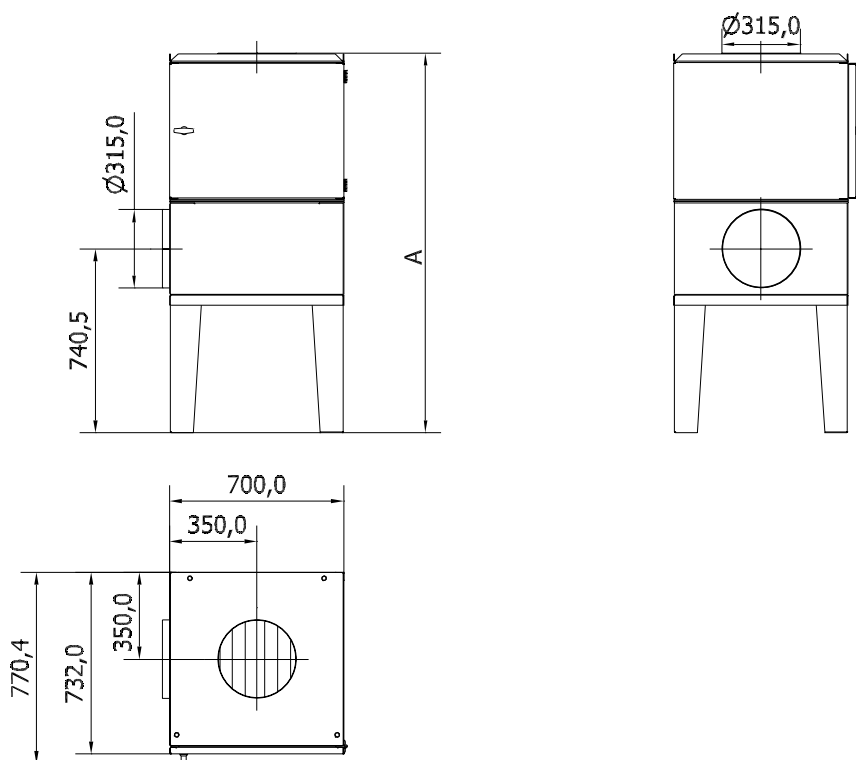


Cabinet for compact filter type KF1 (excl. filter) with connection in through bottom and out of top:



Type	Order no. Without Minihelic- differential pressure manometer	Order no. With Minihelic- differential pressure manometer	A	B
KF 1M7	04 370 200	04 370 240	622	625

Cabinet for compact filter type KF1 (excl. filter) on legs with connection in through side and out of top:

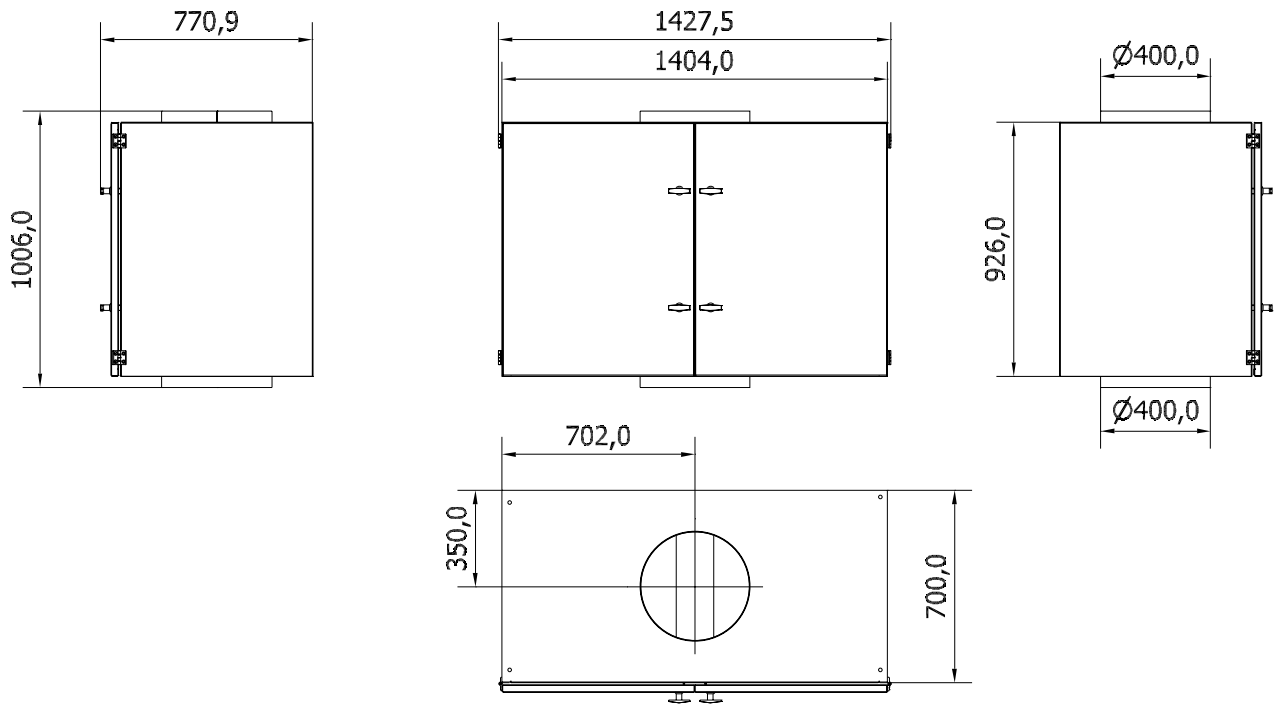


Type	Order no. Without Minihelic- differential pressure manometer	Order no. With Minihelic- differential pressure manometer	A
KF 1M7	04 370 210	04 370 250	1528

Data is subject to alterations

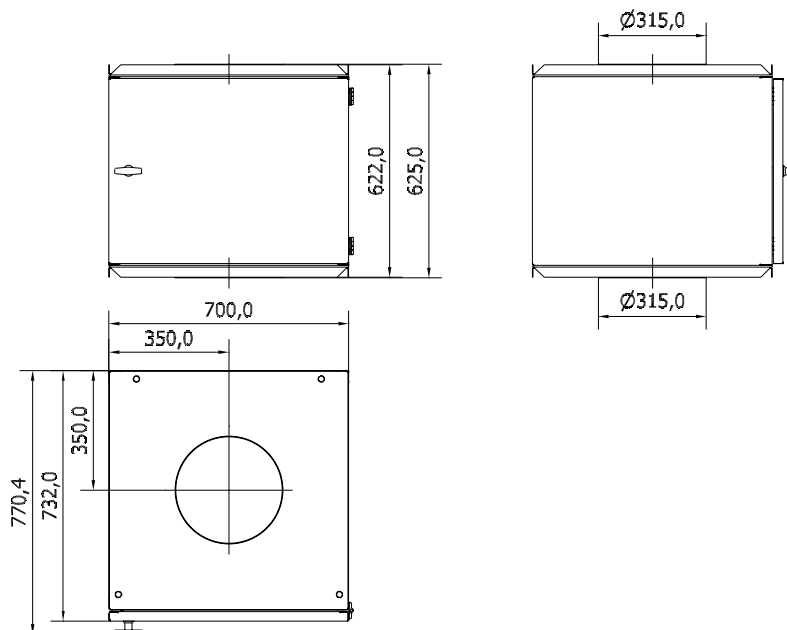
Rev. 04.16

Cabinet for compact filter type KF2 (excl. filters) with connection in through bottom and out of top:



Type	Order no. Without Minihelic- differential pressure manometer
KF 2	04 371 000

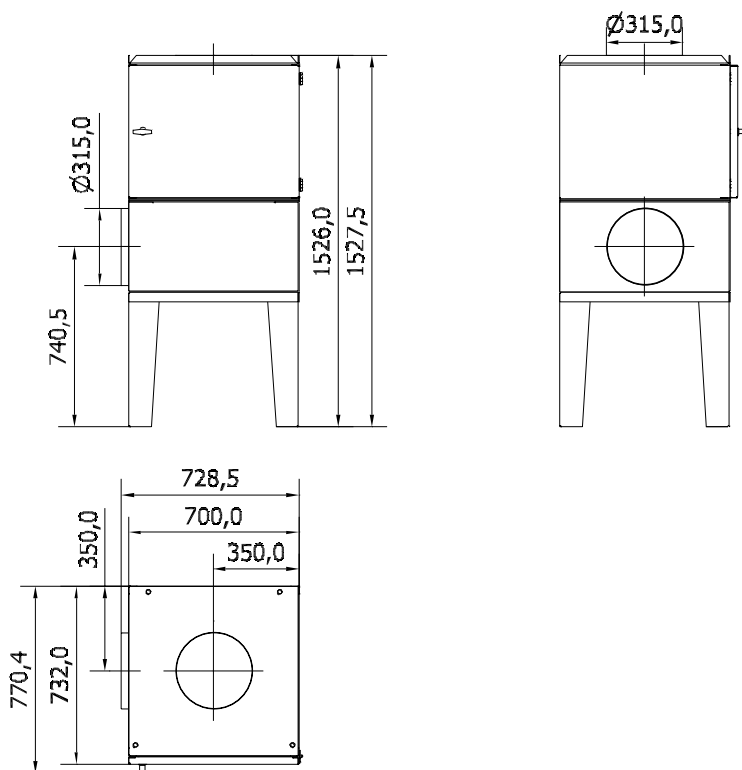
Cabinet for compact filter type AF1 (excl. filters) with connection in through bottom and out of top:



Type	Order no. Without Minihelic- differential pressure manometer	Order no. With Minihelic- differential pressure manometer
AF 1M7	04 375 100	04 375 140

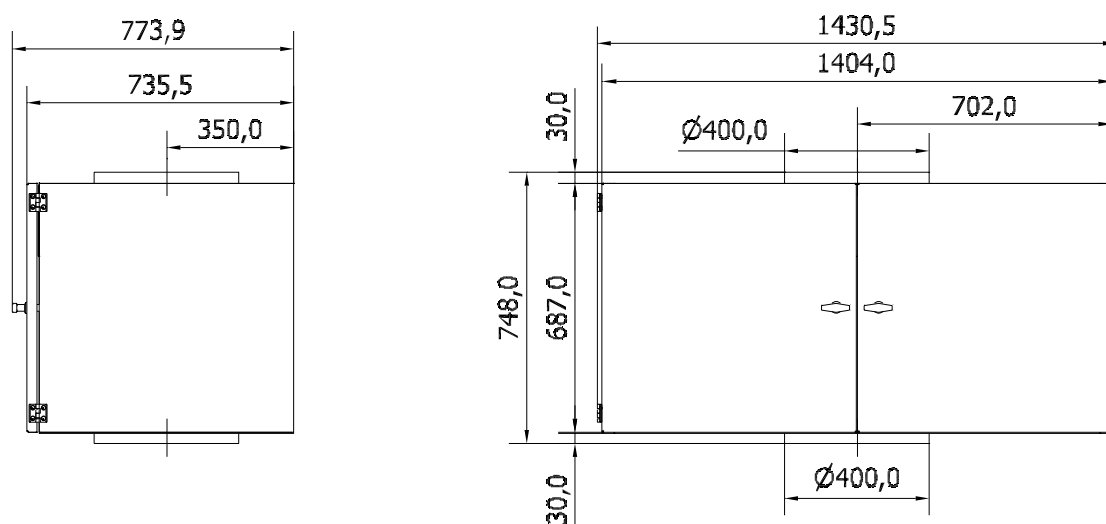


Cabinet for absolute filter type AF1 (excl. filter) on legs with connection in through side and out of top:



Type	Order no. Without Minihelic- differential pressure manometer	Order no. With Minihelic- differential pressure manometer
AF 1M7	04 375 110	04 375 150

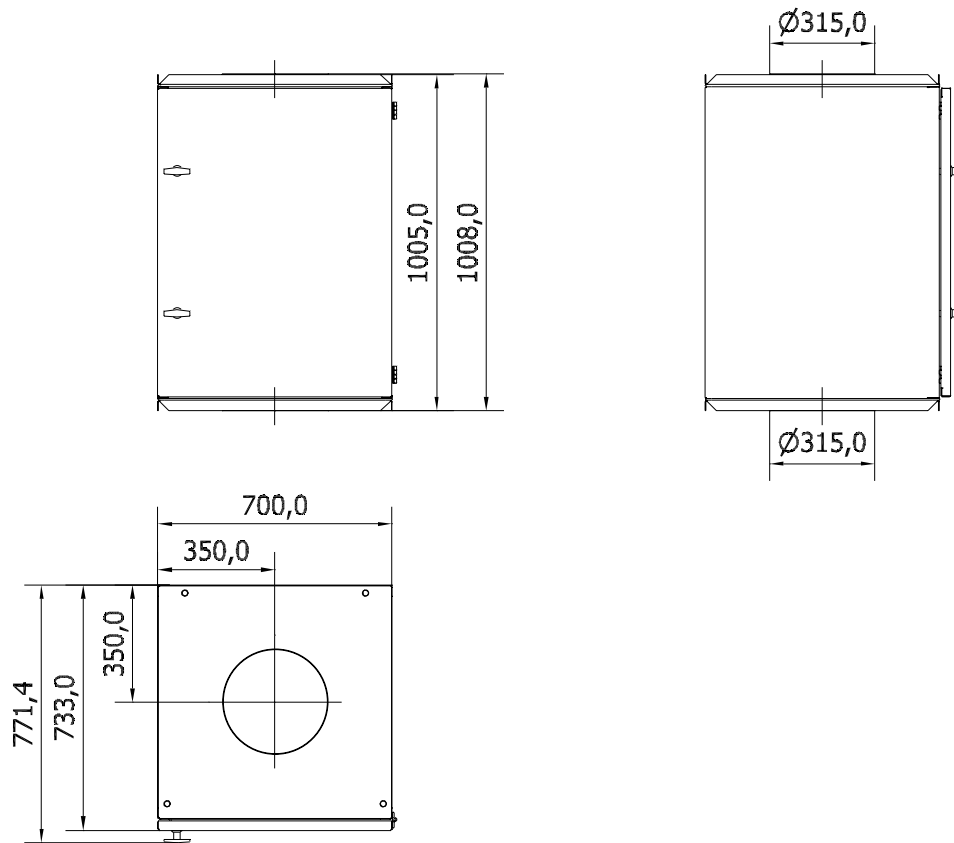
Cabinet for absolute filter type AF2 (excl. filters) with connection in through bottom and out of top:



Type	Order no. Without Minihelic- differential pressure manometer
AF 2	04 376 000

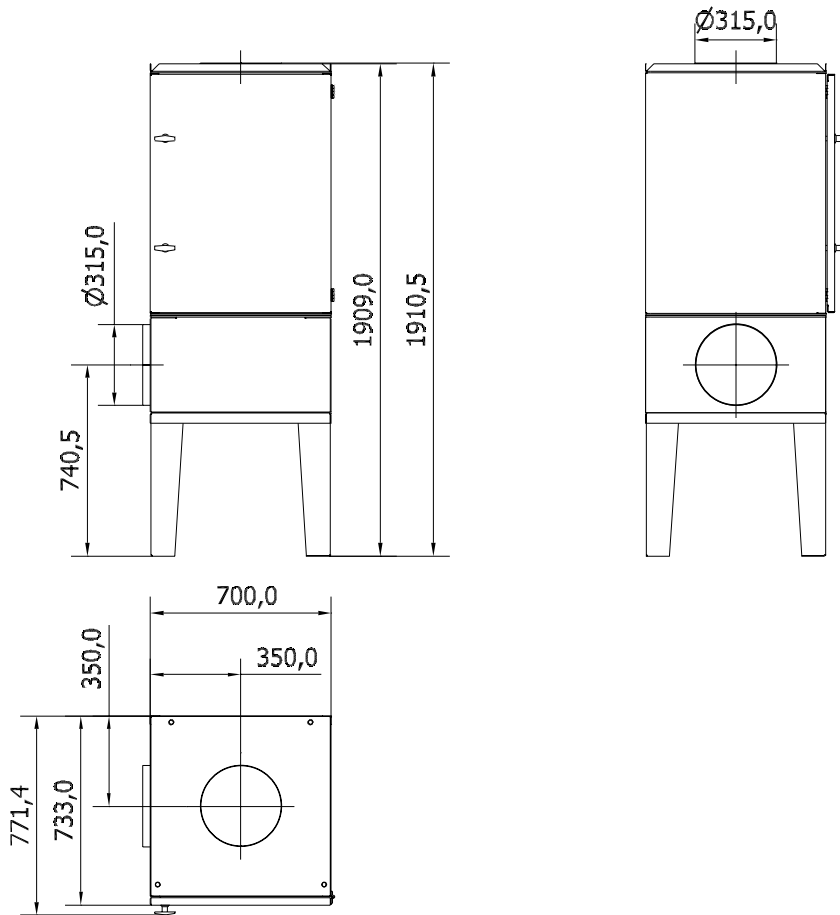
Rev. 04.16 Data is subject to alterations

Cabinet for absolute filter type AFK1 (excl. filters) with connection in through bottom and out of top:



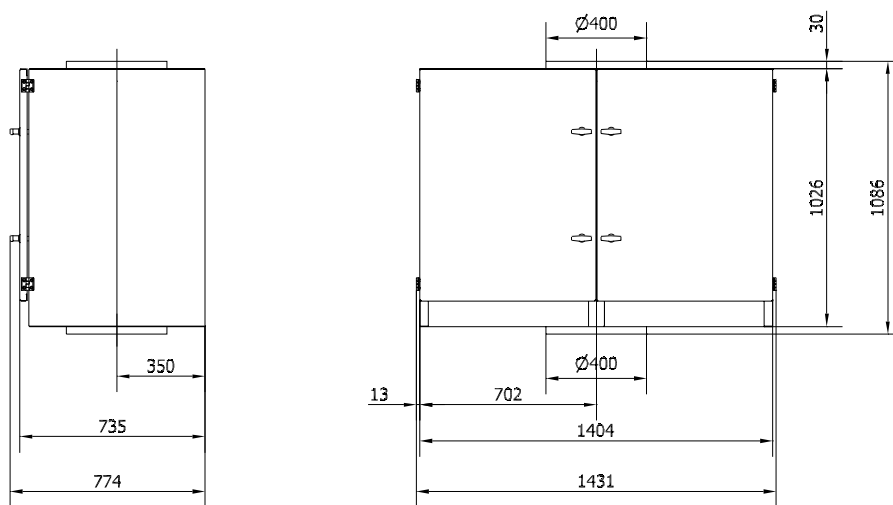
Type	Order no. Without Minihelic- differential pressure manometer	Order no. With Minihelic- differential pressure manometer
AFK 1M7	04 370 700	04 370 740

Cabinet for compact and absolute filter type AFK1 (excl. filters) on legs with connection in through side and out of top:



Type	Order no. Without Minihelic- differential pressure manometer	Order no. With Minihelic- differential pressure manometer
AFK 1M7	04 370 710	04 370 750

Cabinet for compact and absolute filter type AFK2 (excl. filters) with connection in through bottom and out of top:



Type	Order no. Without Minihelic- differential pressure manometer
AFK 2	04 371 700

Data is subject to alterations

Rev. 04.16