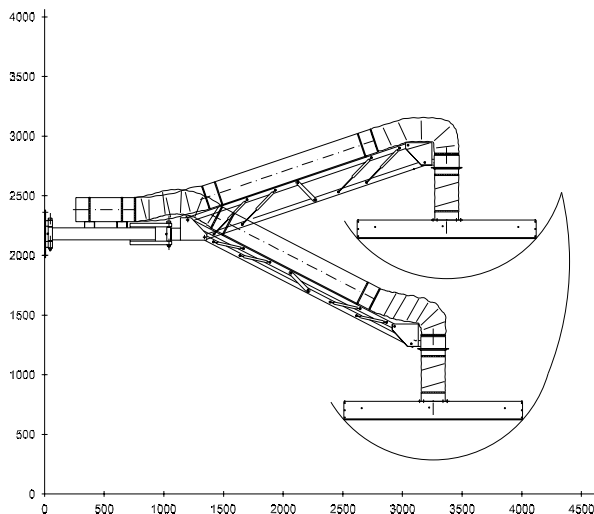
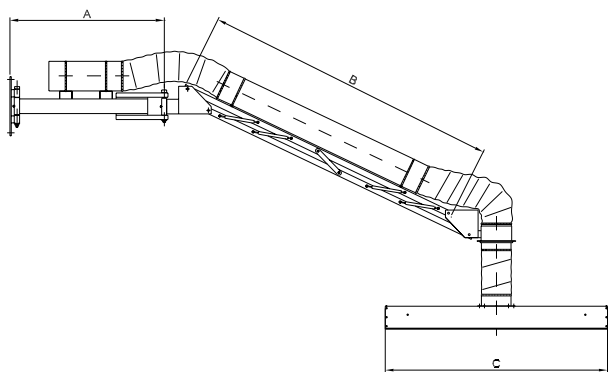
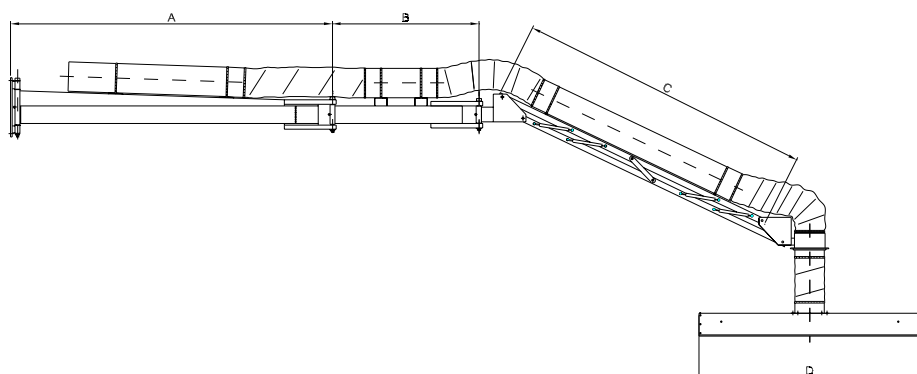


LE-A 3000 - 4000 (ø200mm):



Type	Order no.	A	B	C	Hood width	Diameter	Work range
LE-A 3000	10 140 000	1045	2000	1500	300	ø200	3500
LE-A 4000	10 140 050	1940	2000	1500	300	ø200	4400

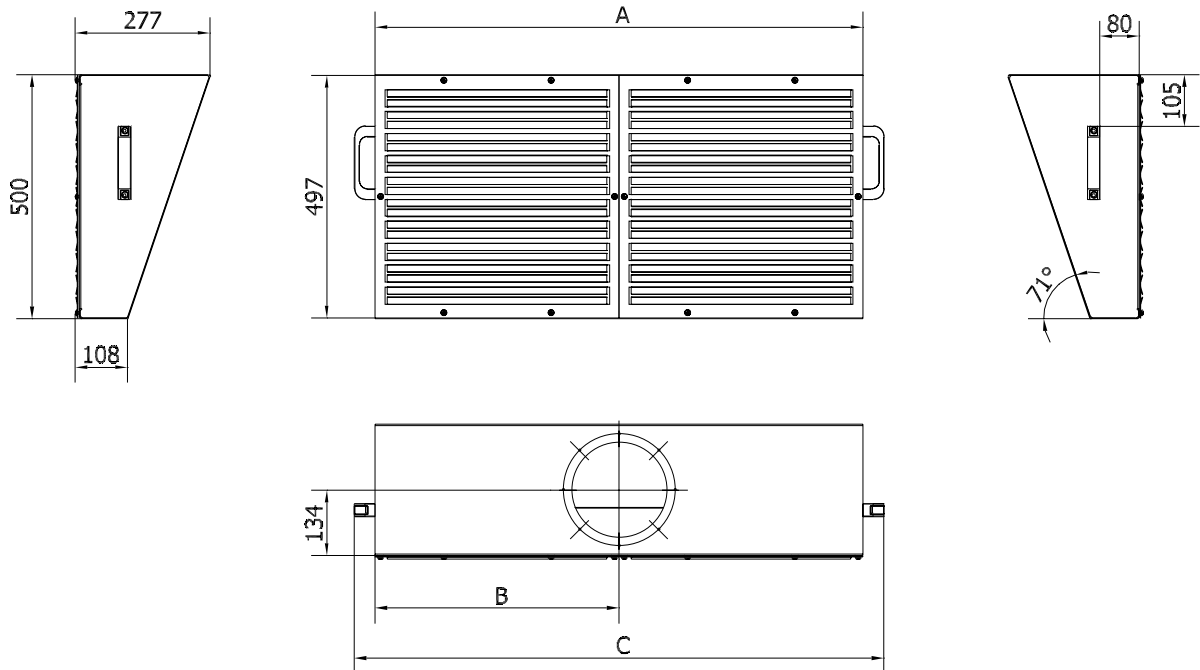
LE-A 5000 - 6000 (ø200mm):



Type	Order no.	A	B	C	D	Range (ø200mm)	Hood width	Diameter	Work range
LE-A 5000	10 140 100	2235	995	2000	1500	5530	300	ø200	5650
LE-A 6000	10 140 150	2235	1890	2000	1500	6425	300	ø200	6550

**Extraction panel type PULLE:**

- Vertical suction panel for LE-arm $\varnothing 200\text{mm}$
- Front panels can be disassembled for cleaning
- Handles on both sides for position adjustment



Order no.*	A [mm]	B [mm]	C [mm]	Weight [kg]
01 629 100	500	250	586	11
01 629 200	1000	500	1086	19

* Requires additional payment for mounting on LE-arm (01 628 000)

Colour: 7011 (structure)



Gram Clean Air A/S
www.GramCleanAir.com

10.LEA3