



LGF-A 1000 - 1500

- Pour la zone ATEX 21/1 (2D/2G)
- Fixations pour table/mur
- Longueur totale : 1 et 1,5m
- Raccordement direct du flexible au canal
- Construction avec système de barre externe
- Hotte optimisée sur le plan technique du flux
- Convient pour le montage sur les machines de travail et sur les tables de travail manuel.



LGF-A 2000 - 9000

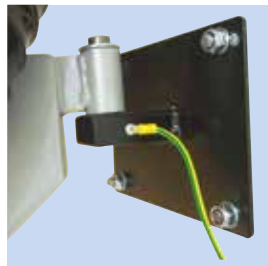
- Pour la zone ATEX 21/1 (2D/2G)
- Fixations pour le mur
- Longueur totale : 2 - 9m
- Raccordement direct du flexible au canal
- Les longueurs de 5 à 9 m sont connectées au canal par un flexible (non inclus).
- Construction avec système de barre externe
- Hotte optimisée sur le plan technique du flux
- Convient pour l'extraction de la fumée, des poussières légères et des gaz.

ATEX zone 21 et 1

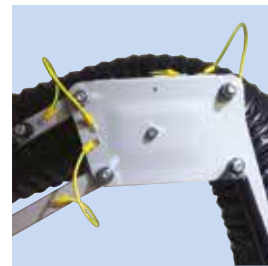
∇ Ø|∧çà|∧á∧c∧^∧ÁÚJÉÇÉ∧^∧Á] [∧^...c@∧|-}∧Á...|∧&c| [∧& ] á∧&c∧^∧Áæç∧∧Á∧•] é∧æ|∧Á∧^∧}∧-á∧á∧æ&á∧!∧é∧  
 !∧•• [∧cÉ  
 ∇ Ú∧ ] [∧cá∧∧-|∧çà|∧Á∧^∧}∧Á] |æ∧cá∧~∧É  
 ∇ Ó∧æ∧c∧^∧c...∧Á] [∧~∧!∧æ∧á∧!...∧é∧cæ}∧∧Á...|∧&c|∧á∧~∧∧Á∧æ}∧•∧!∧∧á∧é∧!∧&∧~∧áç∧á∧∧Á {∧é∧∧é∧|∧æ∧c∧^∧!∧∧Á∧GÁÉ∧HÉ∧Á@ {ÉÁ  
 Šæ∧!...∧é∧cæ}∧∧Á∧á∧∧æ∧Á∧•∧!∧æ∧∧Á∧á∧~∧Á∧æ∧∧é∧|∧æ∧c∧^∧!∧∧Á∧á [∧c∧-∧c∧∧á∧}...∧!∧∧~∧!∧∧é∧FÖ∧Á∧U@ {É  
 ∇ Š∧á∧!∧æ∧∧∧c∧...∧~∧á...∧Á∧á∧~∧}∧-á∧|∧Á] [∧~∧!∧æ∧á {∧é∧∧é∧|∧æ∧c∧^∧!∧∧Á∧æ}∧!∧-∧Á∧∧Á { [∧}cæ∧∧Á∧çç [∧!∧Á∧é∧á∧•• [∧~∧DÉ  
 ∇ P [∧c∧∧Á∧æ∧à∧!∧~∧...∧∧Á∧æç∧∧Á∧~∧}∧Á∧æ]∧c∧ {æ}∧∧!∧É∧Ö {∧æ|∧æ∧~∧∧á∧æ}∧•∧!∧∧Á∧æ]∧c∧∧Á∧V∧••∧~∧Á∧}∧  
 &æ [∧~∧c&@ [∧~∧∧Á∧c∧Á] [∧á\*}...∧∧Á∧}∧Á] |æ∧cá∧~∧É



LGF-A 1000 - 1500  
Bend at wall mounting inclusive earth cable.



LGF-A 2000 - 4000  
Bend at wall mounting inclusive earth cable.



Joints  
Intermediate plates at top joint with relief cables between construction parts.



Hood  
Hood additional joint and outer arm connected with earth cables. Hood can rotate in two directions.

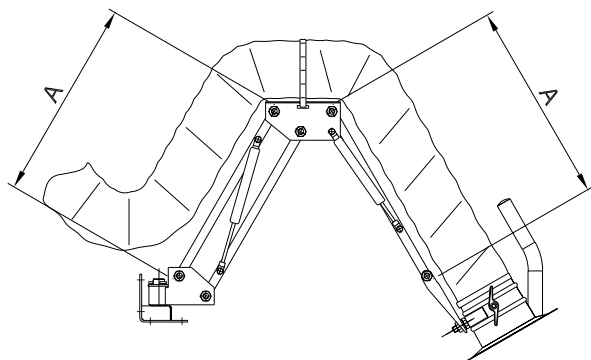
Ô [∧~∧!∧∧!∧KÁÜÇÉŠÁJ€€ÍD& [∧á∧Á& [∧~∧!∧∧JJÎ ÍÁæ∧!∧∧}cÁç∧c∧i∧~∧&c∧!∧∧D

Diameter	Hose type	Max. vacuum	Damper	See page
ø80-ø160mm	S9-A	1500 Pa	Yes	Group 8



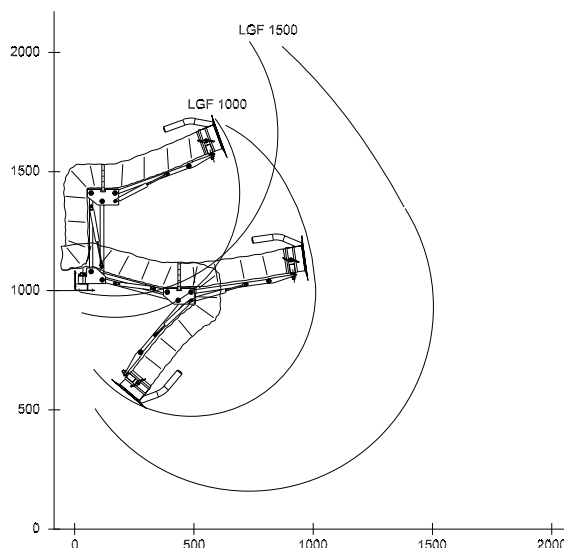
LGF-A arm is designed with external joints, meaning air flow is increased, hose does not wear and service and adjustment are made easy.

### Type LGF-A 1000-1500:

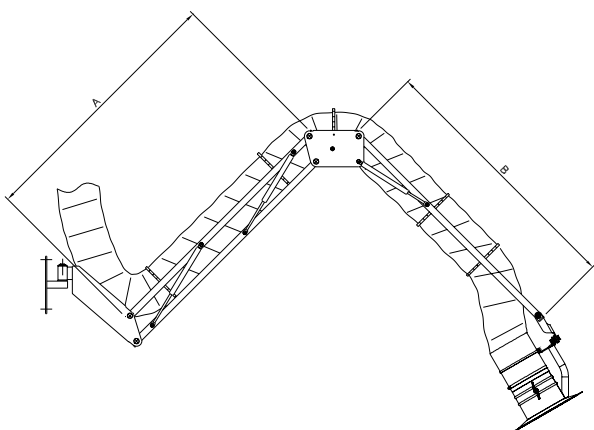


Type	A	Hose diameter
LGF-A 1000	350	ø80-ø160mm
LGF-A 1500	600	ø80-ø160mm

### Range LGF-A 1000 - 1500 (ø100mm):

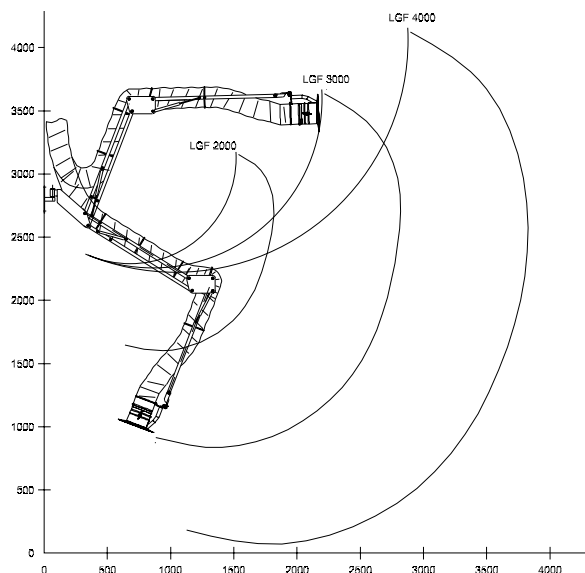


### Type LGF-A 2000 - 4000:

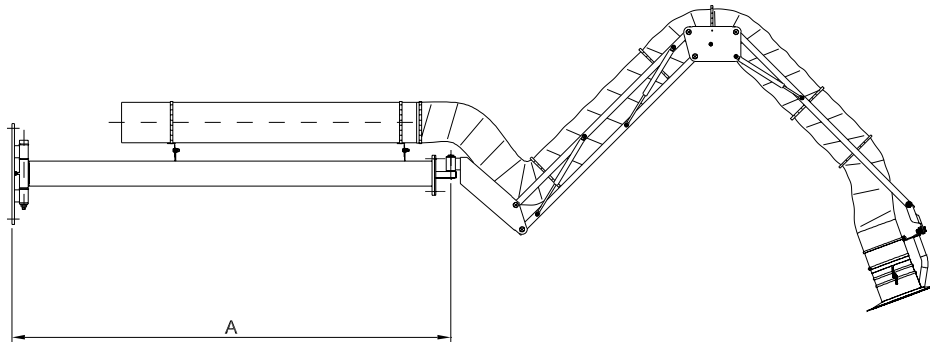


Type	A	B	Hose diameter
LGF-A 2000	500	500	ø80-ø160mm
LGF-A 3000	1000	1000	ø80-ø160mm
LGF-A 4000	1500	1500	ø80-ø160mm

### Range LGF-A 2000 - 4000 (ø160mm):

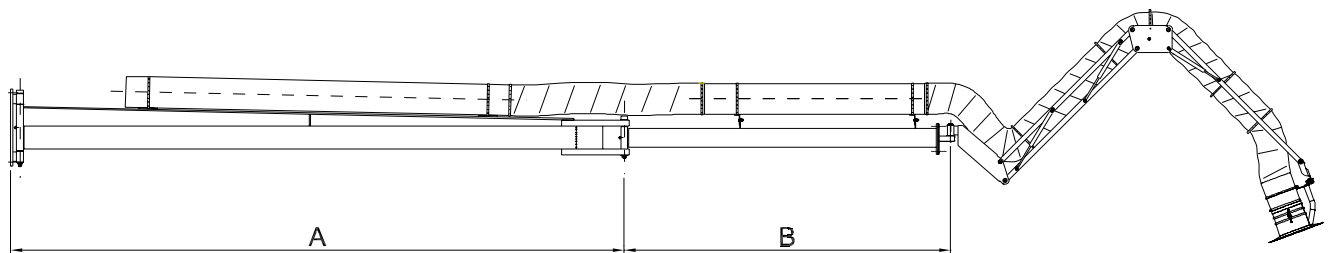


Extraction arm type LGF-A with extension arm/single swing arm:



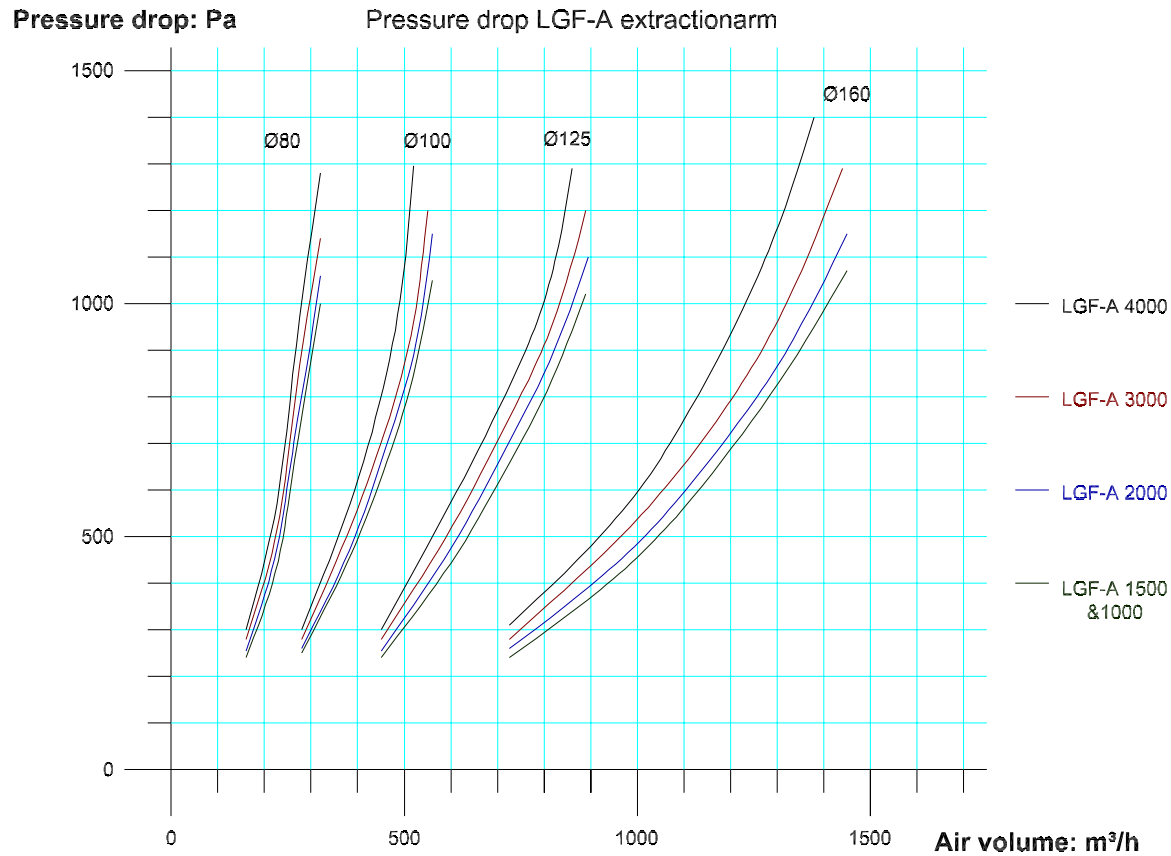
Type	A	Hose diameter	Range (ø160mm)
LGF-A 4000E	845	ø125-ø160mm	3595
LGF-A 5000	1740	ø125-ø160mm	4490

Extension arm/double swing arm, max. 9m (can be folded together against the wall):



Type	A	B	Hose diameter	Range (ø160mm)
LGF-A 6000	2185	800	ø125-ø160mm	5740
LGF-A 7000	2185	1695	ø125-ø160mm	6680
LGF-A 8000	3185	1695	ø125-ø160mm	7680
LGF-A 9000	3185	1695	ø125-ø160mm	8680

## Performance curve for LGF-A 1000 - 4000 (ø80 - ø160mm):



## Performance table for cantilever joints for LGF-A (ø125 - ø160mm) as well as range:

Diameter	ø125mm	ø160mm
at m³/h	600	1000
1m joint	60 Pa	60 Pa
2m joint	70 Pa	70 Pa
2m + 1m joint	150 Pa	150 Pa
2m + 2m joint	185 Pa	185 Pa
3m + 2m joint	220 Pa	220 Pa