



Efficient and mobile filter unit with manual compressed-air cleaning with integrated fan that is used for air filtration from processes that form limited dust amounts (welding, cutting, grinding and the like).

SFPM: Air volume: 450 - 1,000 m³/h
 Vacuum: Max. 2,000Pa
 Filter area: 13m²

Description filter unit

- Polluted air is led through extraction arm/connection on unit top.
- Air is filtered through horizontal placed cartridge filter (dust class M).
- The clean air is led through noise-damped outlet with diffuse exhaust.
- Dust is collected in dust container in unit side. Dust container is suspended in Gram elevator-adjustable suspension.
- Unit made with W3-certificate.

Description fan

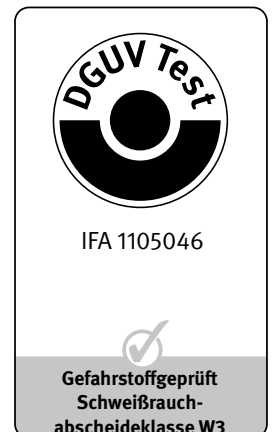
Unit is in the bottom equipped with fan type VL 1150, 1x230 VAC, 50 Hz, 2-pole. Fan is equipped with closed fan wheel with backward-curved straight self-cleaning blades, static/dynamic balanced according to ISO 14694 (BV3 G 6.3).

Simple mounting, connection and operation

Only wheels and handle for easy transport as well as the extraction arm are to be mounted upon receipt, after which the unit is ready for use. Integrated motor starter and plug on front make connection quick and simple. Elevator-adjustable dust container ensures user-friendly dust container operation.

W3-certificate

Unit is suitable for welding smoke class W3 for steel smoke separation with a alloy part > 30% of e.g. nickel and chromium.



Extraction arm

Arm type RGF is delivered with flow-technical optimized hood and outer bar system.



Motor protection

Integrated motor protection.



Service

Easy service of dust container.



Outlet

Noise damped outlet with diffuse exhaust.



Filter: • Cartridge filter ø325mm. Length: 660mm

Filter cartridge cleaning: • With compressed-air blast gut from clean-air side done manually

Filter replacement: Cartridge replacement made easily and dust-reduced by filter bayonet suspension that is loosened from clean air chamber and inserted into sack. Access by front door.

Filter material:

Standard	Material	Used for
G115A	Polyester flake with teflon membrane	Welding smoke or finer dust sorts, e.g. cutting smoke from plasma, flame and laser cutting



The filters meet demands for extraction degree for dust class M according to DIN EN 60335-2-69 Appendix AA (extraction degree > 99.9%).

Construction/surface:

Mobile filter unit type SFPM is constructed according to:

- Machine directive 2006/42/EU
- Low Voltage directive 2014/35/EU
- Harmonized standards: ISO 12100, ISO 12499, EN 60204-1, EN ISO 13857, ISO 14694, IEC 30034

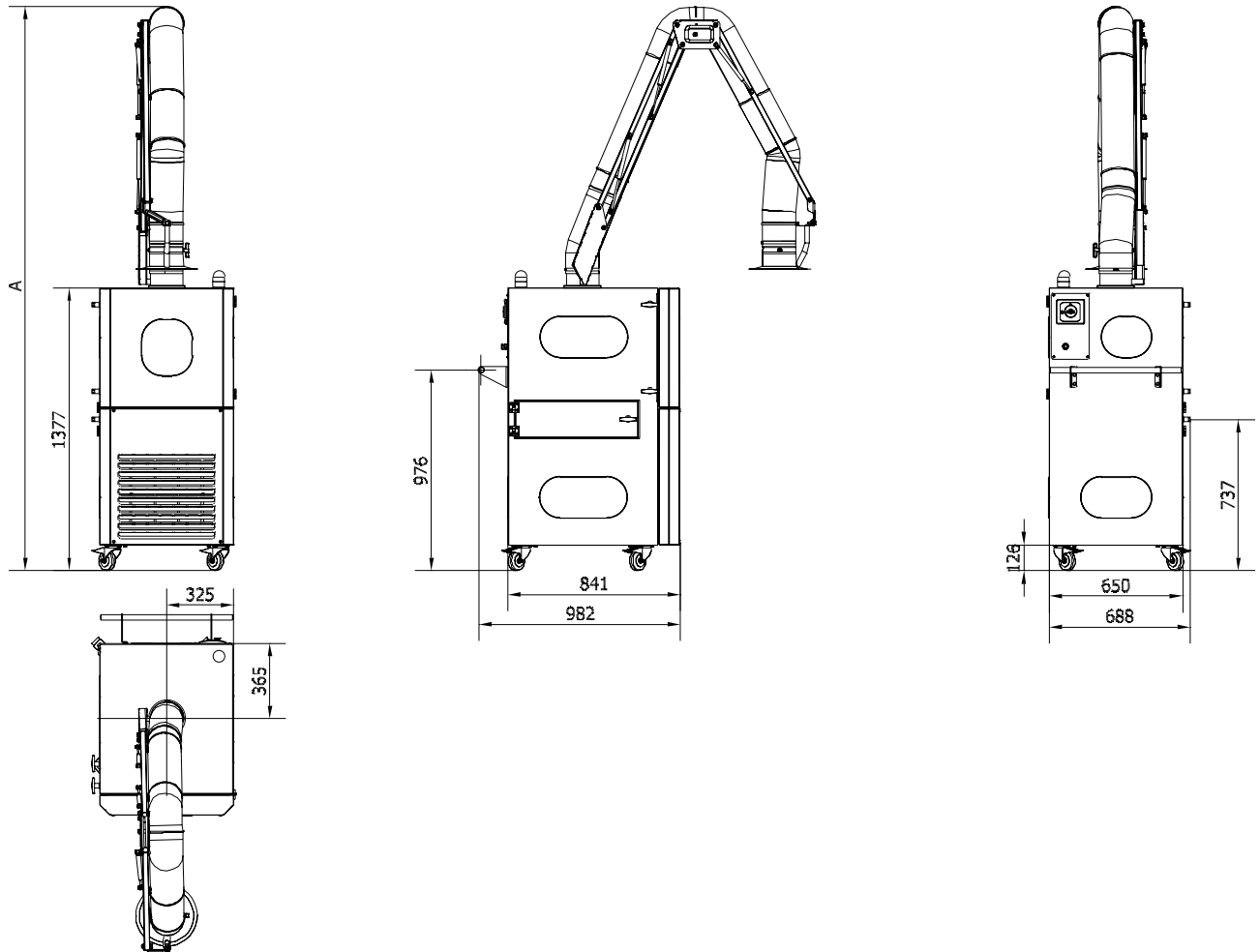
Filter cabinet is made in 2mm black steel plate
Surface powder enamelled RAL 7042/7011 structure

Further is available:

- Replacement sack for dust container (08 142 200)
- Sack for replacement of used cartridges (08 142 000)
- Outlet connection ø200mm for bolting on mobile units type SFPM/SFPT (05 345 890)

Data is subject to alterations.

Rev. 03.21



Type	Order no.	Fan	Motor [kW]	Voltage [V]	Arm type	Filter	Filter material*
SFPM1/VL 1150/RGF 3000/W3	05 345 700	VL 1150	1.10	1x230	RGF 3000/ø160	1 x 13 m ²	G115A
SFPM1/VL 1150/RGF 4000/W3	05 345 750	VL 1150	1.10	1x230	RGF 4000/ø160	1 x 13 m ²	G115A

* Cartridge ø325x660mm/ø13.5mm, 13m², G115A (08 128 635W3)