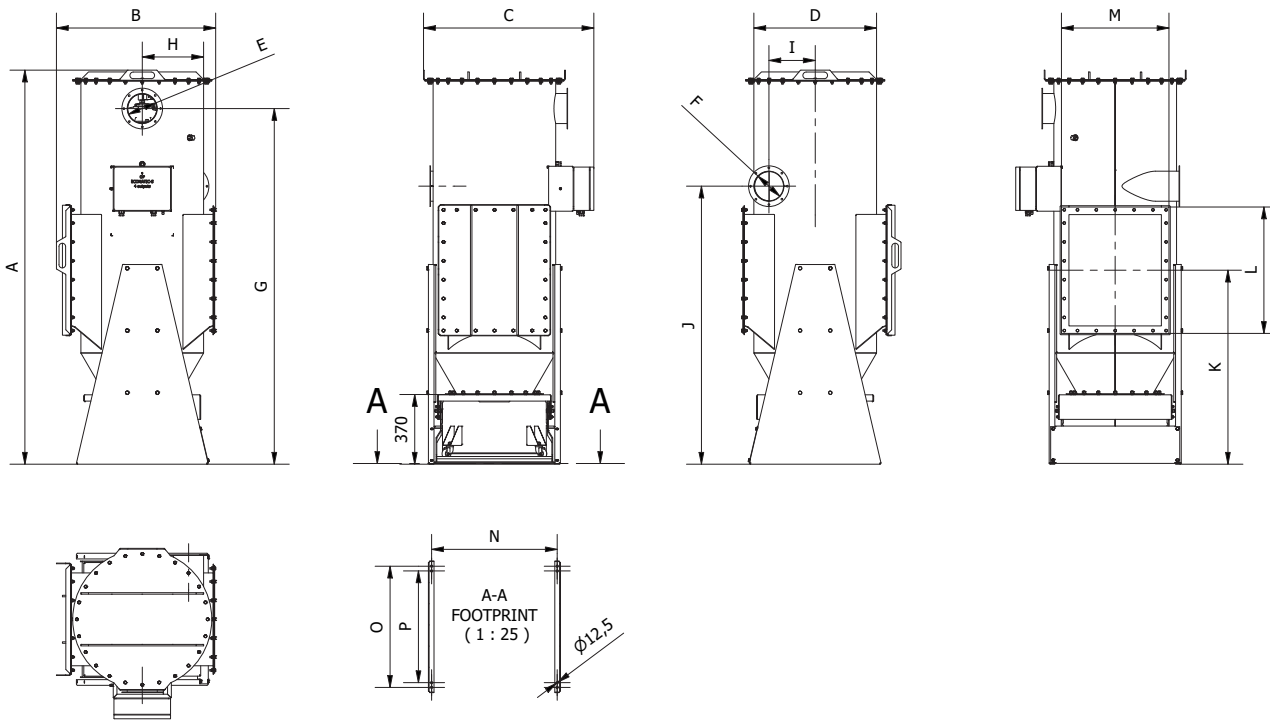




Cyclone filter type CJF-A:



Cyclone filter type CJF-A (max. 5,000Pa):
ATEX zone: 21/22

Type	ATEX zone 21/22 Item no.	A	B	C	D	E	F	G	H
CJF-A 13	10 430 100	2089	844	903	$\phi 650$	$\phi 160$	$\phi 160$	1185	325
CJF-A 26	10 431 100	2419	844	916	$\phi 650$	$\phi 200$	$\phi 200$	2195	325
CJF-A 52	10 432 100	2679	1139	1201	$\phi 950$	$\phi 315$	$\phi 315$	2405	475

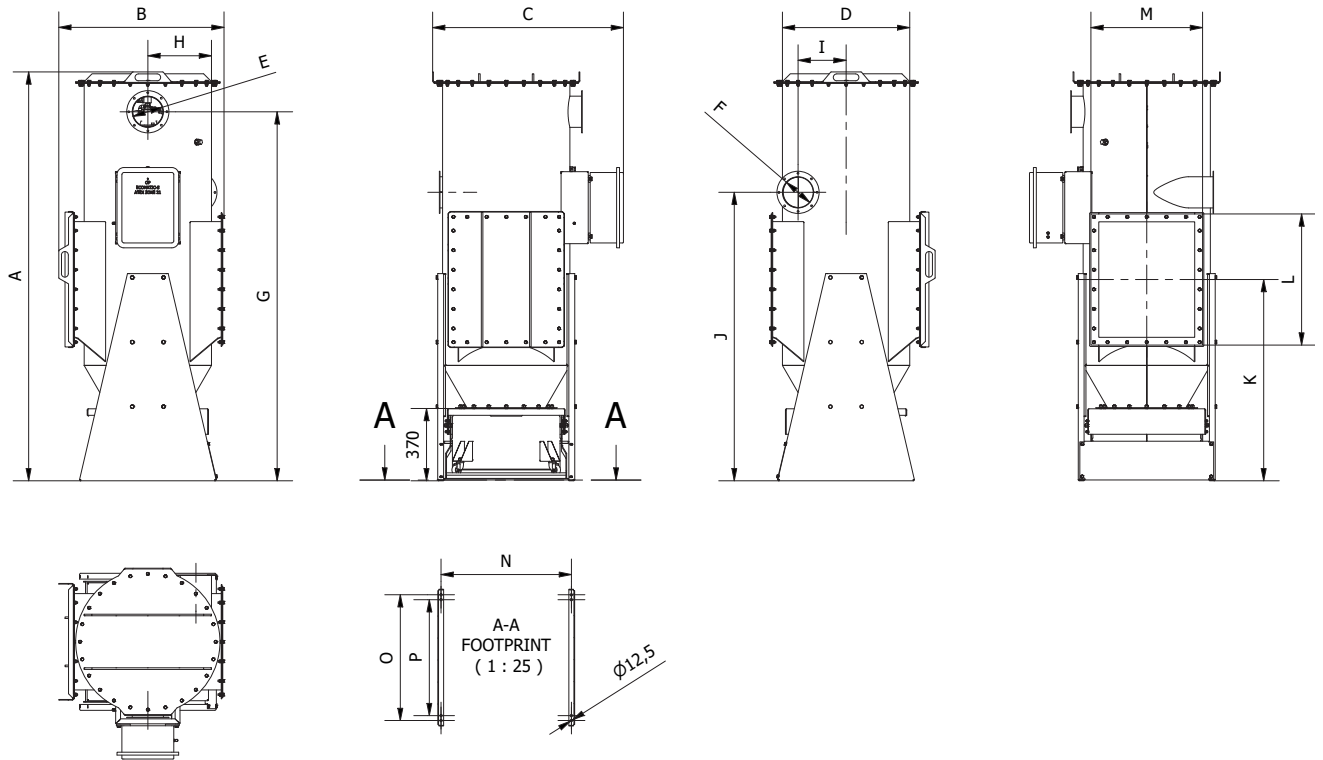
Type	ATEX-zone 21/22 Item no.	I	J	K	L	M	N	O	P
CJF-A 13	10 430 100	246	1474	1028	670	570	666	642	592
CJF-A 26	10 431 100	225	1783	1028	670	570	666	642	592
CJF-A 52	10 432 100	318	1986	1338	733	733	976	642	592

Data is subject to alterations
Rev. 12.22





Cyclone filter type CJF-A:



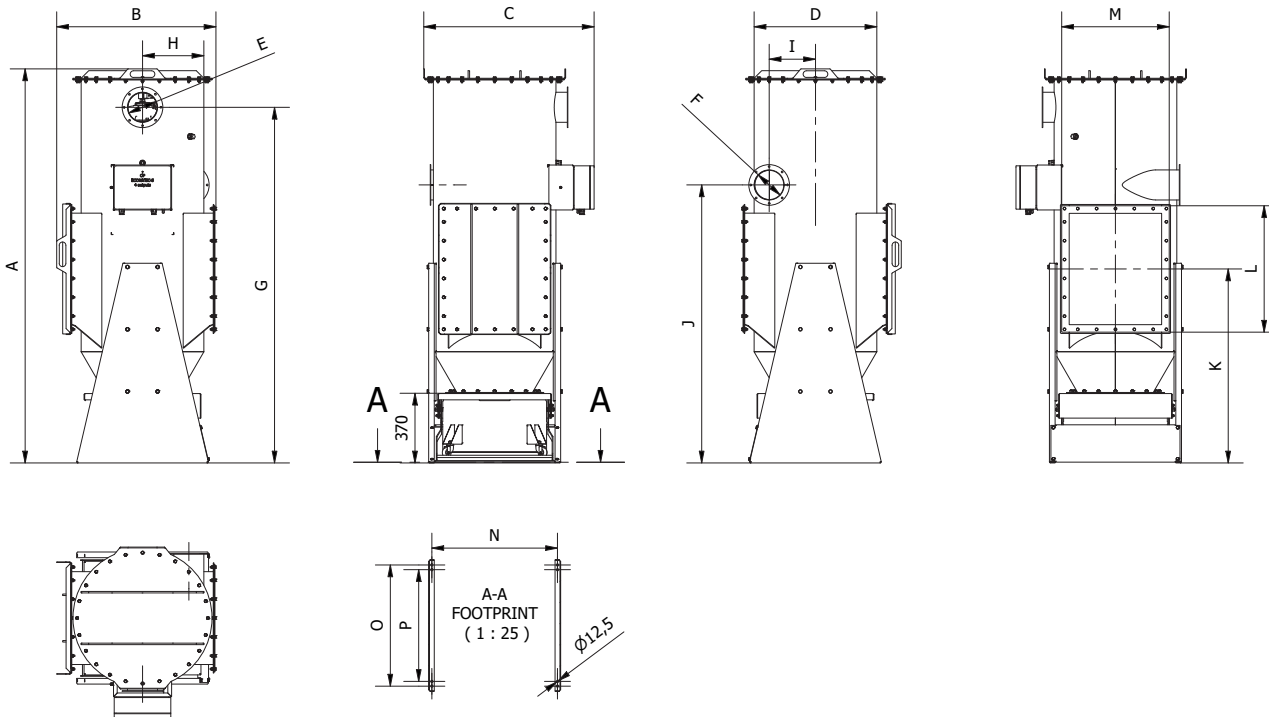
Cyclone filter type CJF-A (max. 5,000Pa):
ATEX zone: 21/21

Type	ATEX zone 21/21 Item no.	A	B	C	D	E	F	G	H
CJF-A 13	10 430 600	2089	844	975	$\phi 650$	$\phi 160$	$\phi 160$	1885	325
CJF-A 26	10 431 600	2419	844	990	$\phi 650$	$\phi 200$	$\phi 200$	2195	325
CJF-A 52	10 432 600	2679	1139	1290	$\phi 950$	$\phi 315$	$\phi 315$	2405	475

Type	ATEX zone 21/21 Item no.	I	J	K	L	M	N	O	P
CJF-A 13	10 430 600	246	1474	1028	670	570	666	642	592
CJF-A 26	10 431 600	225	1483	1028	670	570	666	642	592
CJF-A 52	10 432 600	318	1986	1338	733	733	976	642	592



Cyclone filter type CJF-V-A:



Cyclone filter type CJF-V-A (max. 40,000Pa):
ATEX zone: 21/22

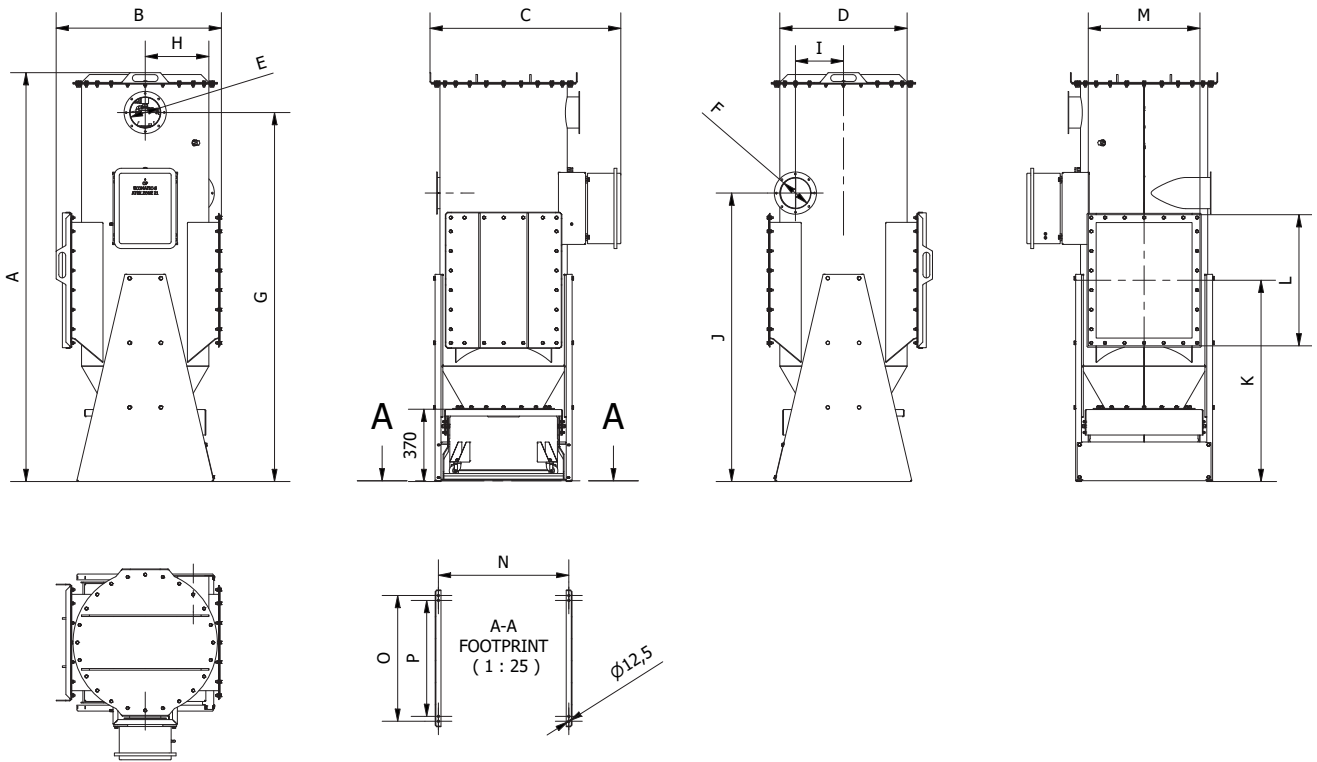
Type	ATEX zone 21/22 Item no.	A	B	C	D	E	F	G	H
CJF-V-A 13	10 430 300	2089	844	903	ø650	ø150	ø150	1185	325
CJF-V-A 26	10 431 300	2419	844	916	ø650	ø203	ø203	2195	325
CJF-V-A 52	10 432 300	2679	1139	1201	ø950	ø315	ø315	2405	475

Type	ATEX zone 21/22 Item no.	I	J	K	L	M	N	O	P
CJF-V-A 13	10 430 300	246	1474	1028	670	570	666	642	592
CJF-V-A 26	10 431 300	225	1783	1028	670	570	666	642	592
CJF-V-A 52	10 432 300	318	1986	1338	733	733	976	642	592

Data is subject to alterations
Rev. 12.22



Cyclone filter type CJF-V-A:



Cyclone filter type CJF-V-A (max. 40,000Pa):
ATEX-zone: 21/21

Type	ATEX zone 21/21 Item no.	A	B	C	D	E	F	G	H
CJF-V-A 13	10 430 800	2089	844	975	ø650	ø150	ø150	1885	325
CJF-V-A 26	10 431 800	2419	844	990	ø650	ø203	ø203	2195	325
CJF-V-A 52	10 432 800	2679	1139	1290	ø950	ø315	ø315	2405	475

Type	ATEX zone 21/21 Item no.	I	J	K	L	M	N	O	P
CJF-V-A 13	10 430 800	246	1474	1028	670	570	666	642	592
CJF-V-A 26	10 431 800	225	1483	1028	670	570	666	642	592
CJF-V-A 52	10 432 800	318	1986	1338	733	733	976	642	592