



LE 3000-6000

- Mountings for wall
- Total length 3 - 6m
- Carrying capacity up to 40 kg (in rotation joint)
- Standard hood can tilt, revolve and is self-holding
- Standard hood is made of aluminium enamelled, with integrated handle
- Measurement standard hood:
300x1500mm with edge extraction
- Direct hose connection to channel (not incl.)
- Suitable for extraction of light grinding dust, welding smoke and fumes from larger surfaces



Gas springs

Pivotal hood is balanced with gas springs.



Special extraction

Possibility for straight suspended extraction surfaces max. 35 kg. Tiltable suspended extraction surfaces max. 10 kg. Revolvable 360°.



Standard hood

Hood can tilt and revolve 360°.



Hose

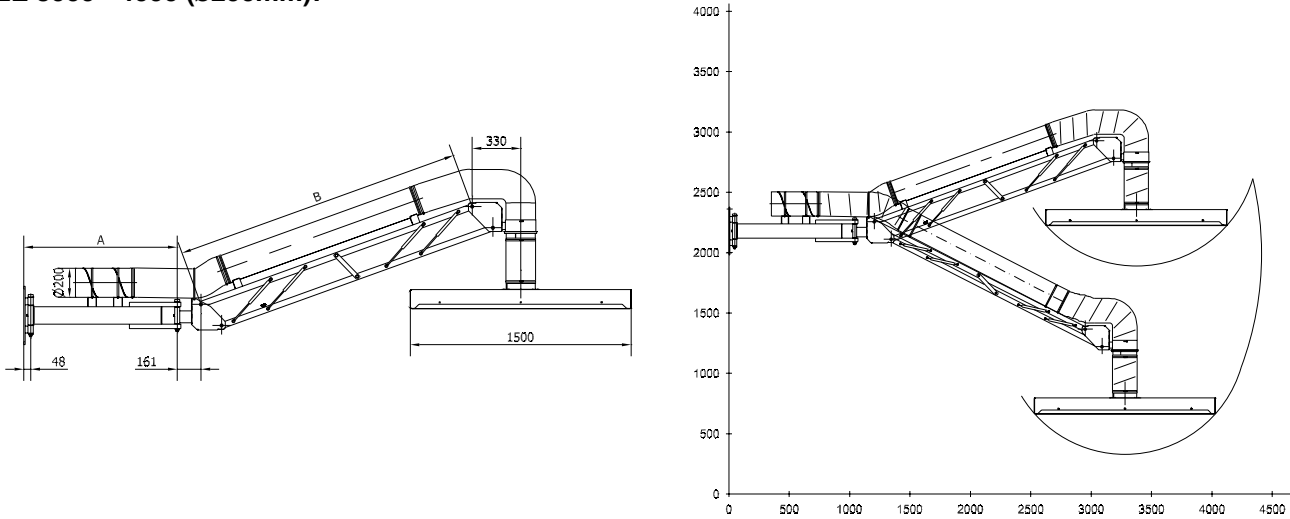
Hose is standard of type S10 in ø200mm-version.

Gram fan type VE 2200 is recommendable, possibly built into a sound enclosure of the type VB. For extraction tasks with solvents the fan must be in an ATEX-version.

Colour: RAL 9005/colour code 9965 silver

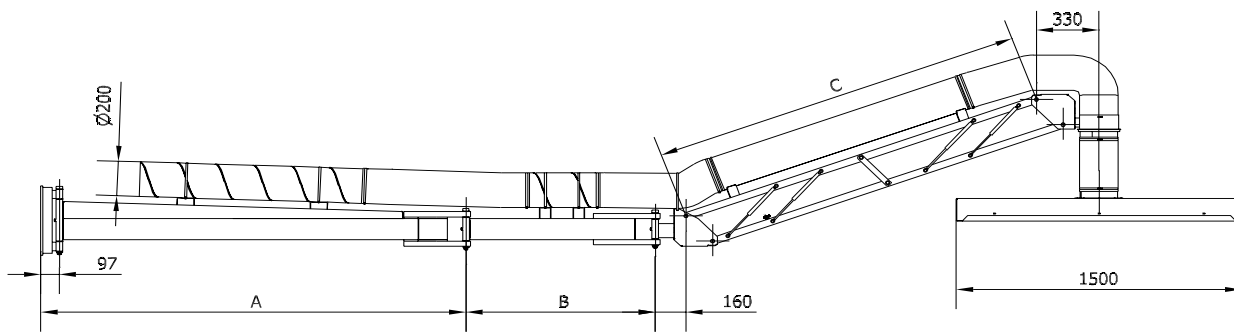


LE 3000 - 4000 (ø200mm):



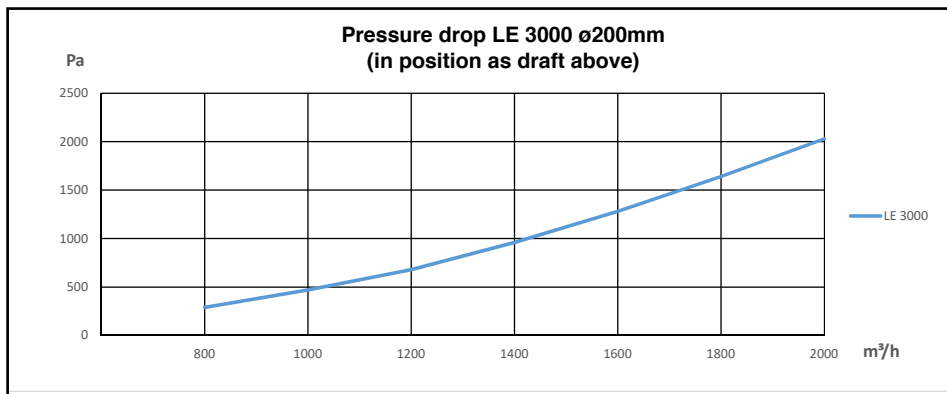
Type	Order no.	A	B	Hood width	Diameter	Work range
LE 3000	01 610 600	1043	1960	300	ø200	3500
LE 4000	01 615 600	1938	1960	300	ø200	4400

LE 5000 - 6000 (ø200mm):



Type	Order no.	A	B	C	Range (ø200mm)	Hood width	Diameter	Work range
LE 5000	01 620 600	2234	995	1960	5530	300	ø200	5650
LE 6000	01 625 600	2234	1890	1960	6425	300	ø200	6550

Performance curve for LE 3000 (ø200mm):



Pressure drop supplements table for other sizes:

Diameter	ø200mm
LE 4000	35 Pa
LE 5000	115 Pa
LE 6000	160 Pa

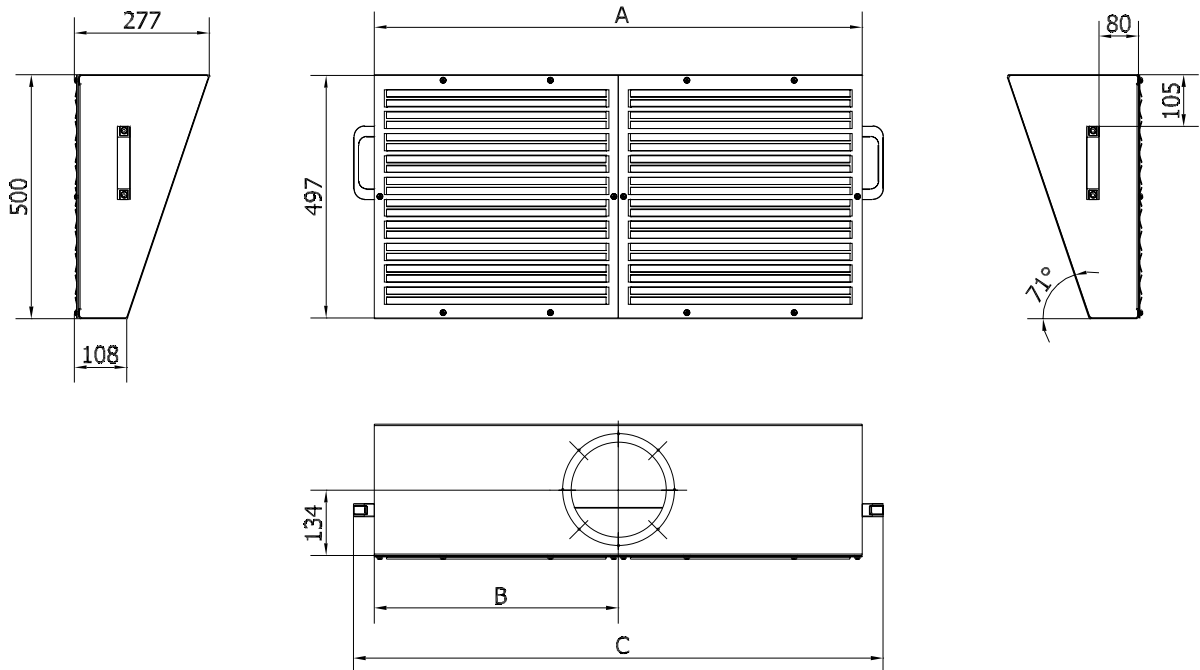
Note: If the hood is angled with 45°, the pressure drop will rise with up to 50Pa.

Rev. 01.21 Data is subject to alterations



Extraction panel type PULLE

- Vertical suction panel for LE-arm $\varnothing 200\text{mm}$
- Front panels can be dismantled for cleaning
- Handle in sides for position adjustment



Order no.*	A [mm]	B [mm]	C [mm]	Weight [kg]
01 629 100	500	250	586	11
01 629 200	1000	500	1086	19

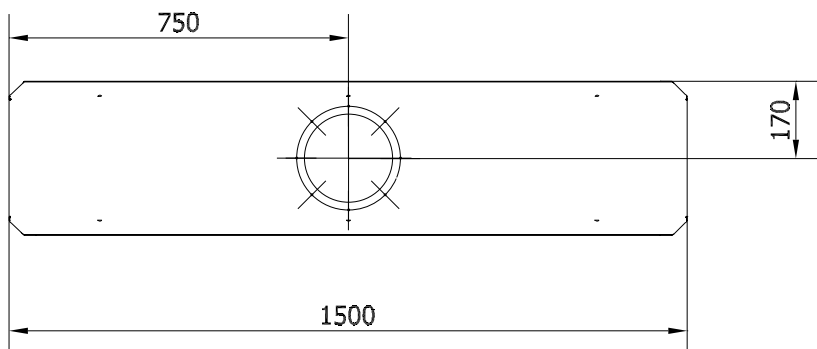
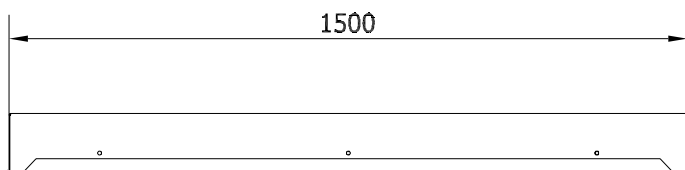
* Requires additional payment for mounting on LE-arm

Colour: 7011 (structure)



Loose hood for pivotal hood type LE:

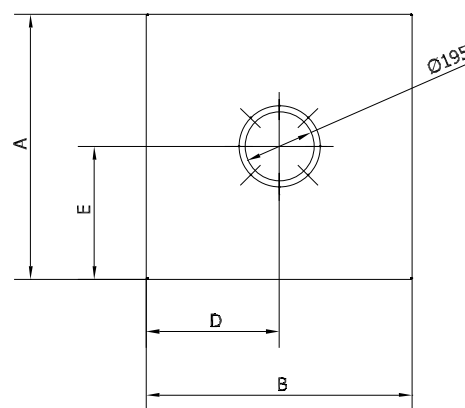
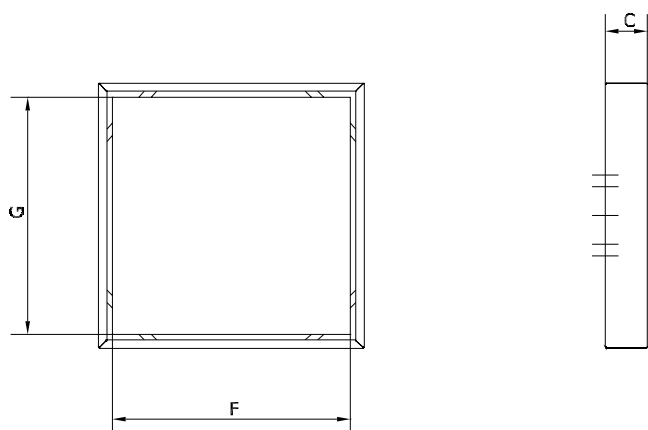
- Standard hood for hood type LE
- Made in aluminium
- For horizontal extraction
- Delivered enamelled



Order no.	Length [mm]	Width [mm]	Height [mm]	Edge extraction
01 629 000	1500	300	157	Yes

Alternative hoods for pivotal hood type LE:

- Made in steel or aluminium
- For horizontal extraction
- Powder enamelled RAL 7011



Order no.*	A	B	C	D	E	F	G	Edge extraction material	Weight [kg]
01 627 000	500	500	120	250	250	434	434	Steel	10
01 627 100	750	750	120	375	375	671	671	Steel	20
01 627 200	1000	1000	120	500	500	909	909	Aluminium	28

* Requires additional payment for mounting on LE-arm

Rev. 01.21 Data is subject to alterations