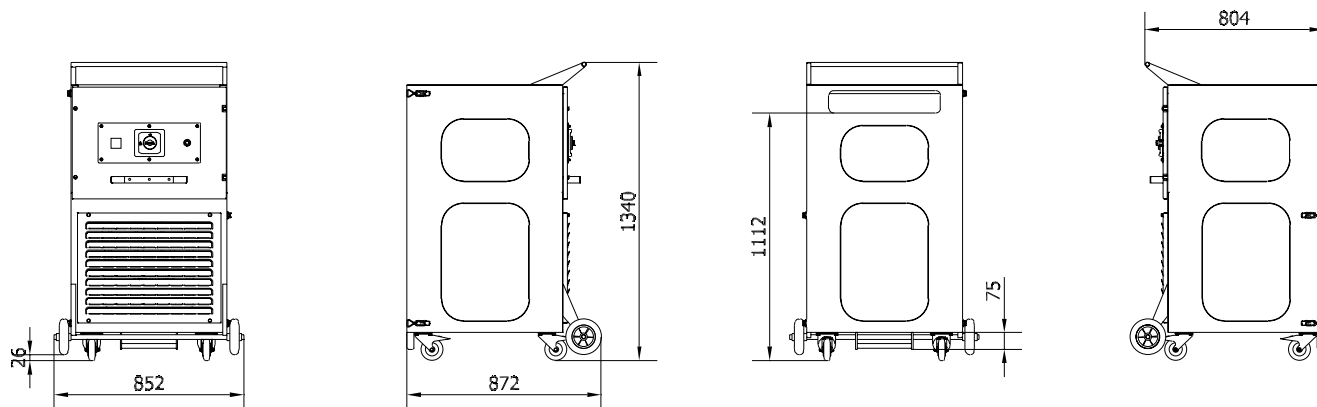
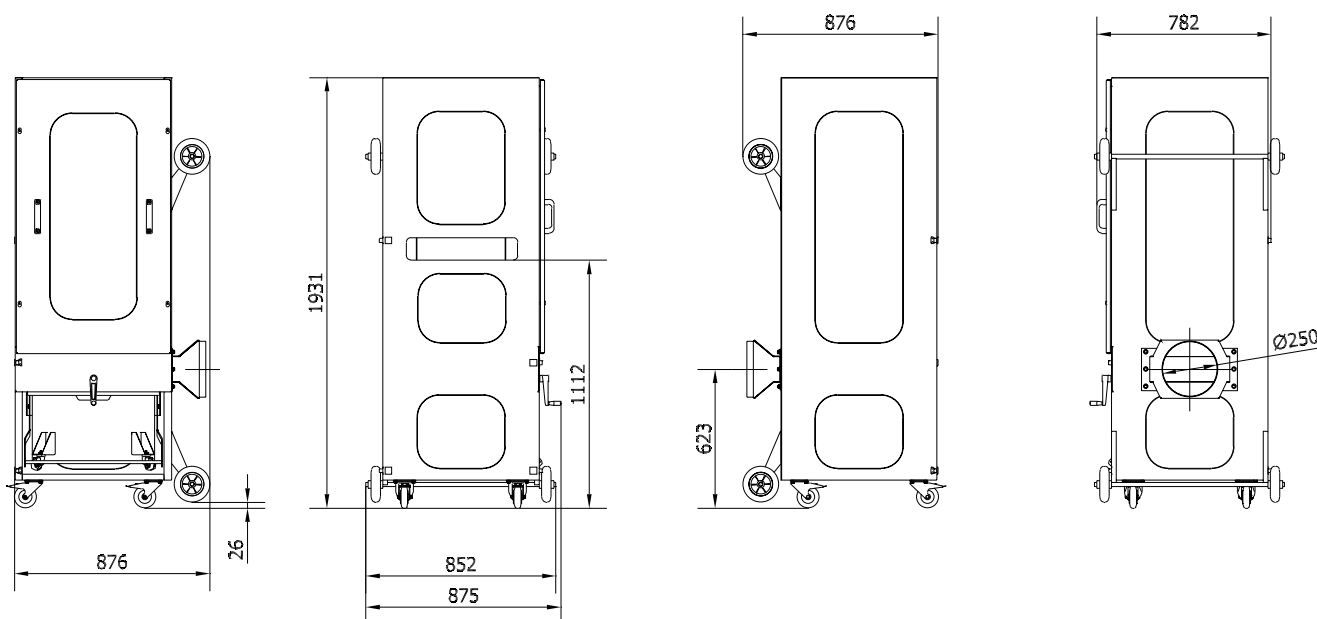


Fan module type LFS VF 2500-C2-CT:



Type	Gram no..	Volt [V]	[rpm.]	[kW]	Max. amp.	Start current	Weight [kg]
LFS VF 2500	04 817 000	3x400	2-pole	2.20	4.70	34.3	120

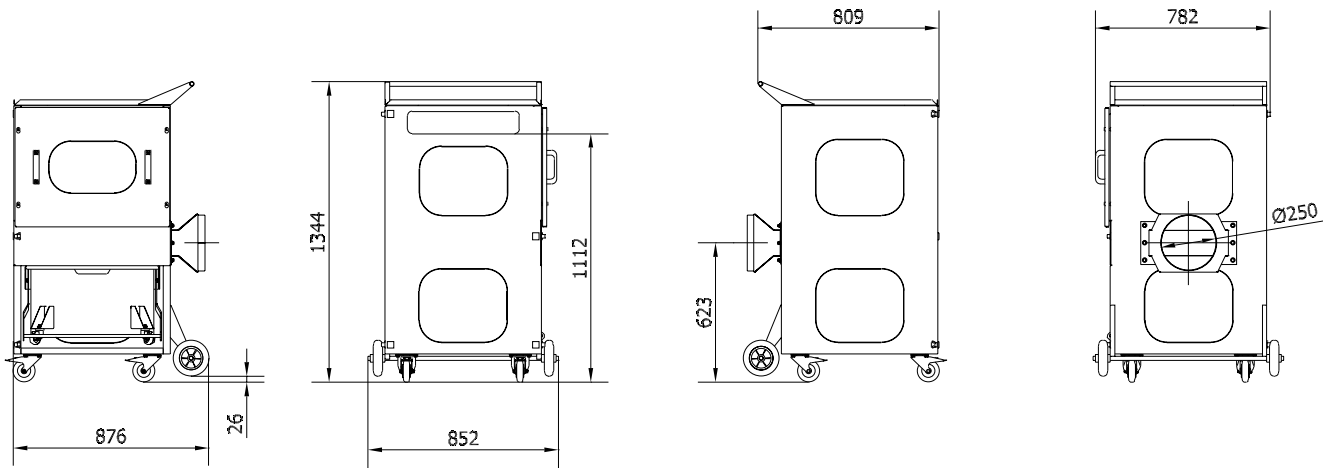
Filter module type LFS 20R:



Type	Gram no.	Filter area G113 [m ²]	Max. vacuum [Pa]	Δ P start/stop [Pa]	Dust container (stand.) [L]	Weight [kg]
LFS 20R	04 821 000	20 ¹⁾	2150	200 - 2000	72	165

¹⁾ Staubmaster ø600x1000mm, G113, 20m² (08 137 600)

Filter module type LFS Clips:



Type	Gram no.	Compact filter	Max. vacuum [Pa]	ΔP start/stop [Pa]	Dust container (stand.) [L]	Weight [kg]
LFS Clips	04 830 000	F9 ¹⁾	2150	200 - 2000	72	135

¹⁾ 592x592x290mm (08 291 500)