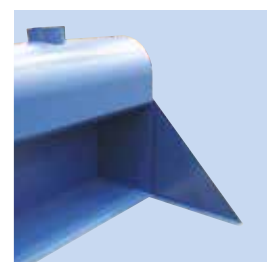
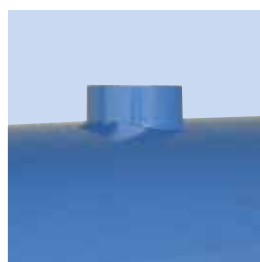
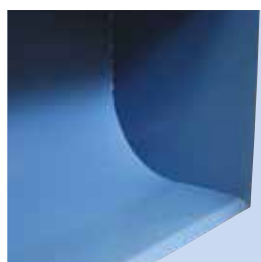




GT - model A and B

- Large extraction surface
- Saving air volume
- Must be mounted on firm surface
- No wearing parts
- Is available in 2 standard models and 5 sizes
- Suitable for extraction of fumes, gases and lighter dust sorts
- Available with slant cut sides



Model A

Turbo wall with straight backside for maximum work space.

Model B

Turbo wall with curved backside for optimal air flow.

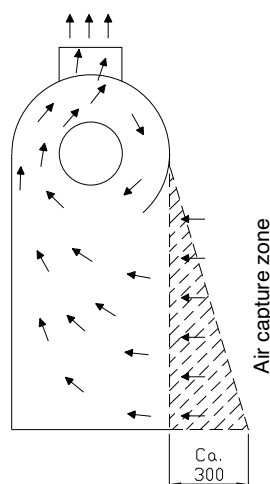
Connection piece

Connection piece diameter from $\varnothing 125$ - $\varnothing 200$ mm.

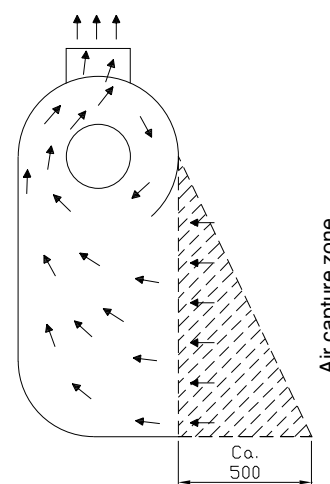
Side plates

Side plates are available.

Model A



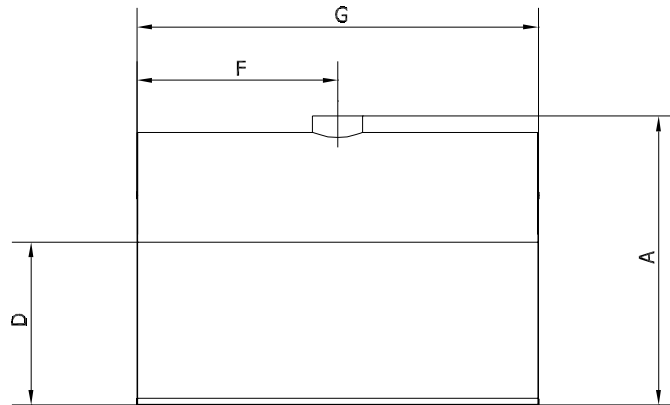
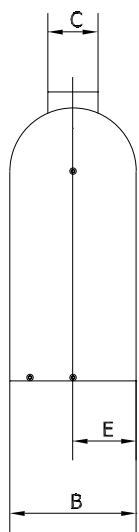
Model B



Colour: RAL 5007 (structure)

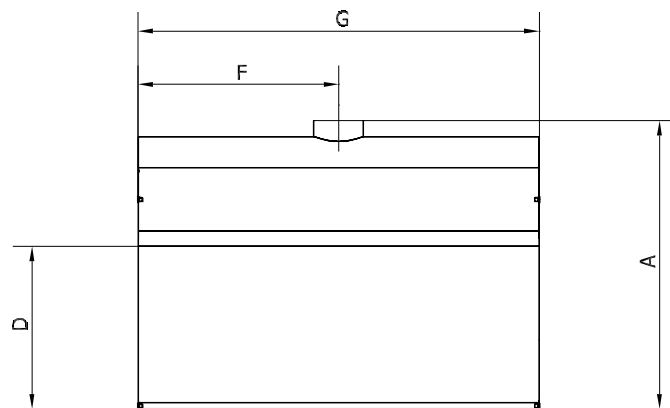
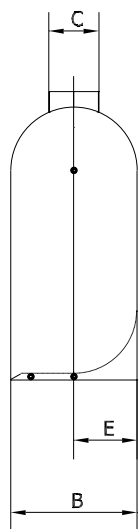


Turbo wall type GT model A with straight backside:



Type	Order no.	A	B	C	D	E	F	G	Backside (form)	Minimum [m³/h]	Weight [kg]	Δ P [Pa]
GT 500/A	02 480 000	720	315	ø125	400	158	250	500	Straight	300	18	300
GT 800/A	02 482 000	720	315	ø125	400	158	400	800	Straight	400	24	300
GT 1000/A	02 470 000	720	315	ø125	400	158	500	1000	Straight	500	28	300
GT 1500/A	02 472 000	968	400	ø160	550	200	750	1500	Straight	1000	44	300
GT 2000/A	02 474 000	1095	450	ø200	600	225	1000	2000	Straight	1500	59	300

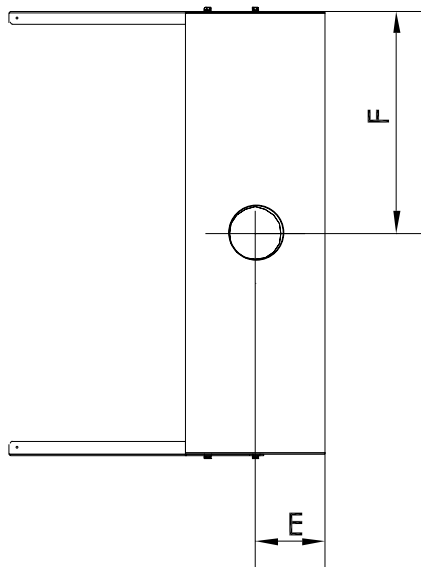
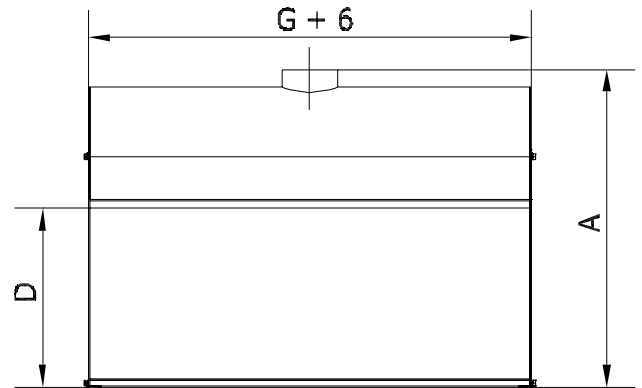
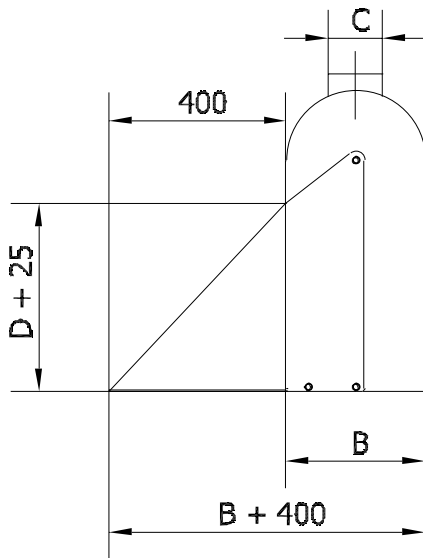
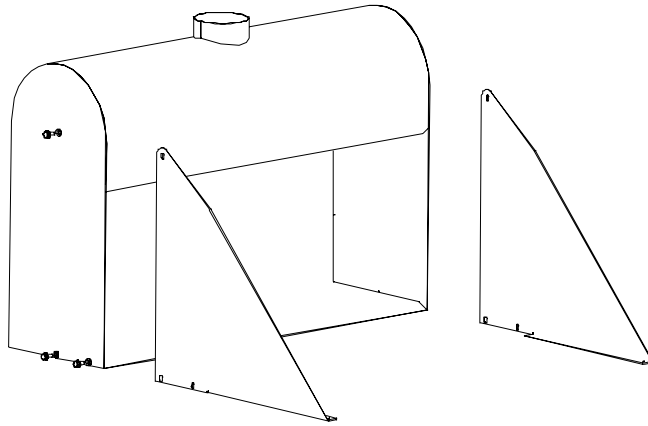
Turbo wall type GT model B with curved backside:



Type	Order no.	A	B	C	D	E	F	G	Backside (form)	Minimum [m³/h]	Weight [kg]	Δ P [Pa]
GT 500/B	02 481 000	720	315	ø125	400	158	250	500	Curved	300	18	300
GT 800/B	02 483 000	720	315	ø125	400	158	400	800	Curved	400	24	300
GT 1000/B	02 471 000	720	315	ø125	400	158	500	1000	Curved	500	28	300
GT 1500/B	02 473 000	968	400	ø160	550	200	750	1500	Curved	1000	44	300
GT 2000/B	02 475 000	1095	450	ø200	600	225	1000	2000	Curved	1500	59	300

Rev. 12.16 Recht auf Änderungen bleibt vorbehalten.

Turbo wall type GT model A/B with slant cut sides:



Type A/B	Slant cut side set Order no.	A	B	C	D	E	F	G	Minimum [m³/h]	Weight [kg]	Δ P [Pa]
GT 500	02 476 005	720	315	ø125	400	158	250	500	300	23	300
GT 800	02 476 005	720	315	ø125	400	158	400	800	400	29	300
GT 1000	02 476 005	720	315	ø125	400	158	500	1000	500	33	300
GT 1500	02 476 105	935	400	ø160	550	200	750	1500	1000	49	300
GT 2000	02 476 205	1095	450	ø200	600	225	1000	2000	1500	64	300

