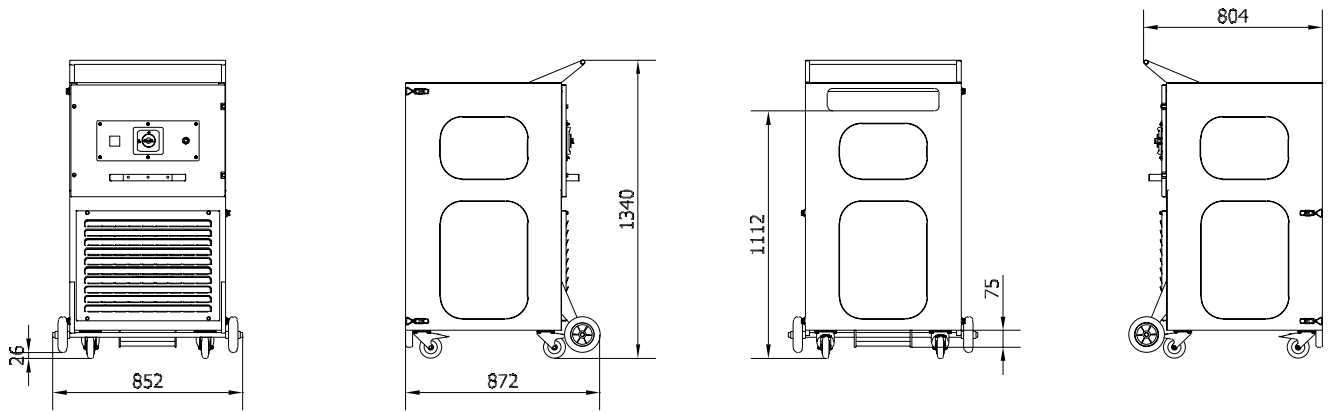
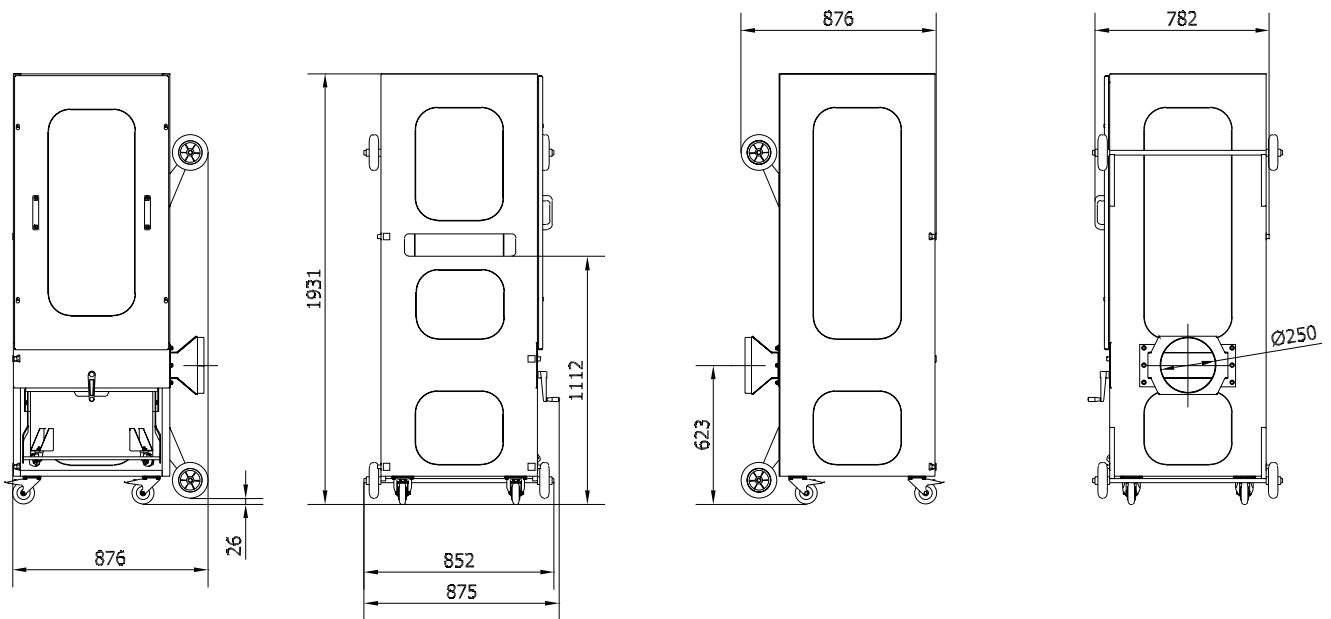


Ventilatormodul type LFS VF 2500-C2:



| Type | Gram no. | Volt [V] | [rpm.] | [kW] | Max. amp. | Start current | Weight [kg] |
|-------------|------------|----------|--------|------|-----------|---------------|-------------|
| LFS VF 2500 | 04 817 000 | 3x400 | 2-pole | 2,20 | 4,70 | 34,3 | 120 |

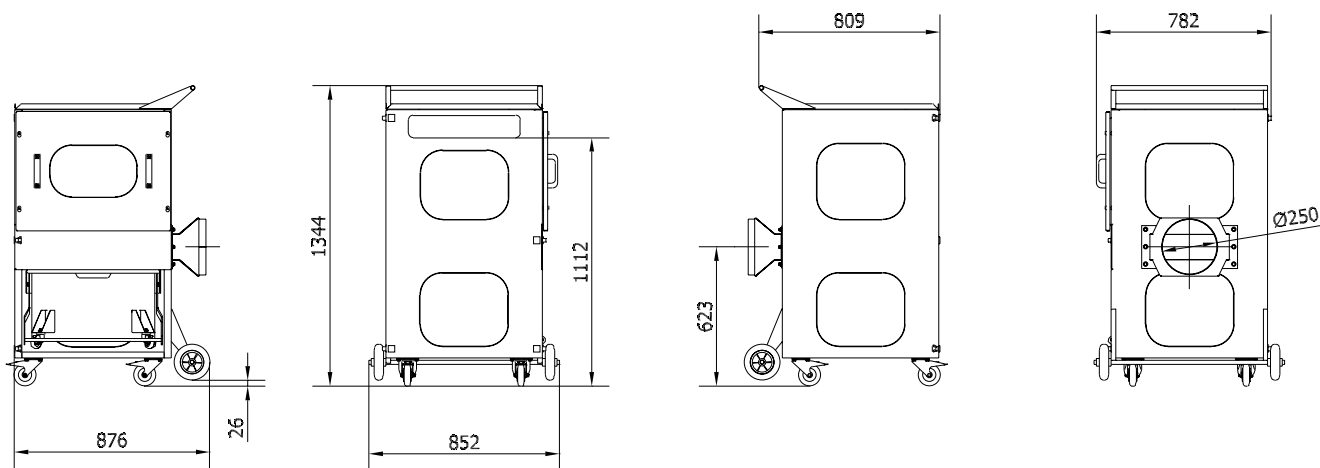
Filtermodul type LFS 20R:



| Type | Gram no. | Filter area G113 [m ²] | Max. vacuum [Pa] | Δ P start/stop [Pa] | Dust container (stand.) [L] | Weight [kg] |
|---------|------------|------------------------------------|------------------|---------------------|-----------------------------|-------------|
| LFS 20R | 04 821 000 | 20 ¹⁾ | 2150 | 200 - 2000 | 72 | 165 |

¹⁾ Staubmaster ø600x1000mm, G113, 20m² (08 137 600)

Filtermodul type LFS Clips:



| Type | Gram no. | Compact filter | Max. vacuum [Pa] | ΔP start/stop [Pa] | Dust container (stand.) [L] | Weight [kg] |
|-----------|------------|------------------|------------------|----------------------------|-----------------------------|-------------|
| LFS Clips | 04 830 000 | F9 ¹⁾ | 2150 | 200 - 2000 | 72 | 135 |

¹⁾ 592x592x290mm (08 291 500)